



DUPLER

MODEL CF-360



Model CF-360 is the Duplexer for transmitting/receiving both 30MHz (or HF bands) and 50MHz (or 144MHz & 430MHz bands) in one time. Combined high Quality, filters work for preventing TVI at the same time.

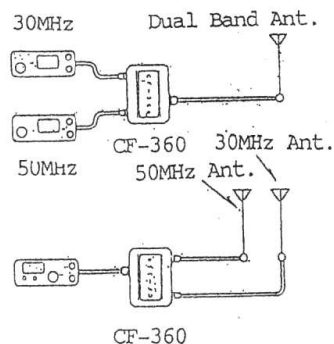
The isolation between 2 connectors is more than 45dB, In case of using CF-360 for one Frequency, the other connector can be remain as -open-, but additional Dummy-Load will be better.

Specifications:

Band-pass Freq. & in-put Loss : 1.3 - 30MHz / Less than 0.2dB
 49 - 470MHz / Less than 0.25dB

Impedance : 50 ohm
 V. SWR : Less than 1 : 1.2
 Max. In-put Power : 1.3 - 30MHz / 600W
 49 - 250MHz / 600W
 300 - 470MHz / 500W
 connectors : M-J (SO239) - antenna
 : M-P (PL259) with 5D2V
 Measurement : W66 X D90 X H26mm

Examples :

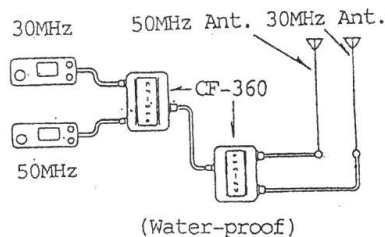
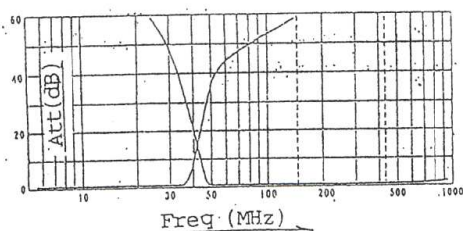


Model CF-360 connectors

In-Out Connector	Type A	Type B
COM Mark	M - J	M-P with Cable
LOW "	M-P with/Cable	M - J
HIGH "	M-P	M - J

Cable Length 360 mm

Band Pass Characters:



www.radio-sklep.pl